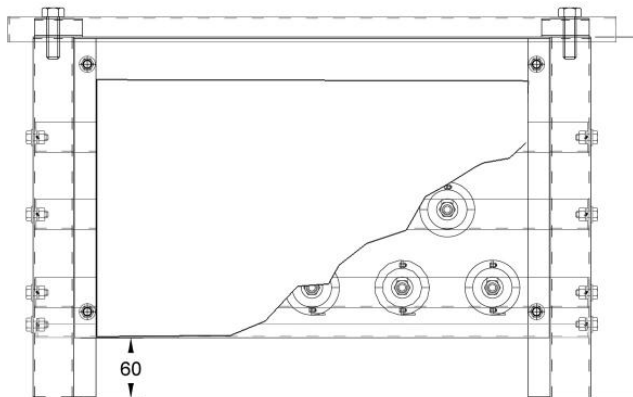
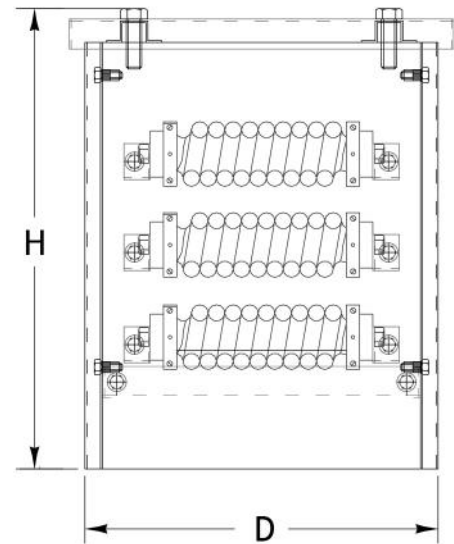
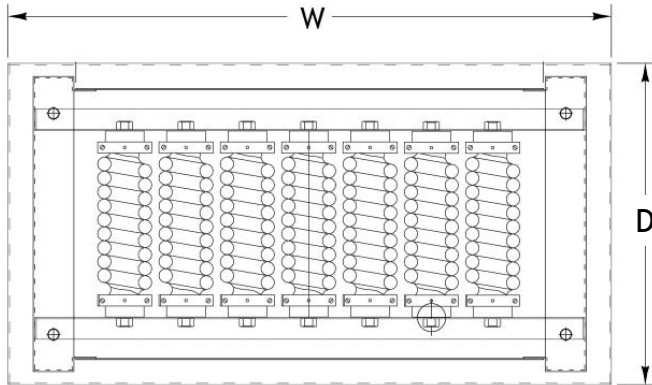


## Model N2

	W	D	H	A	B
N2	23.5 [597]	11.5 [292]	15 [381]	20 [508]	8.5 [216]

Dim: in [mm]

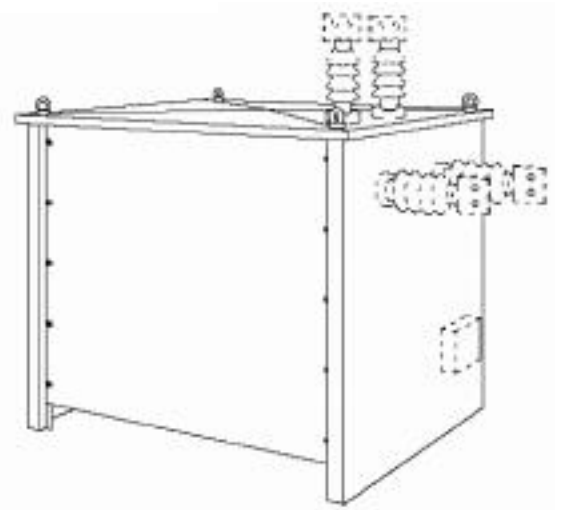
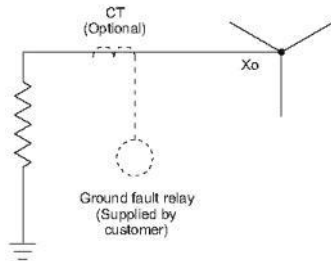
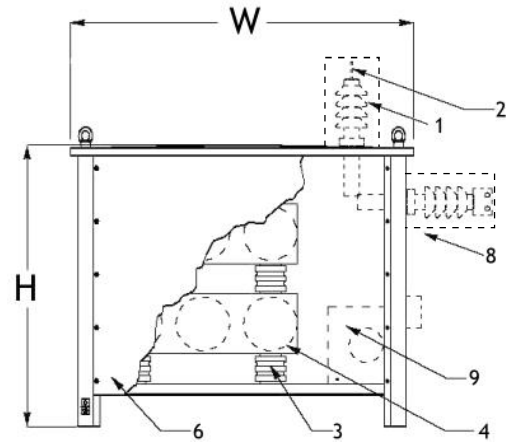
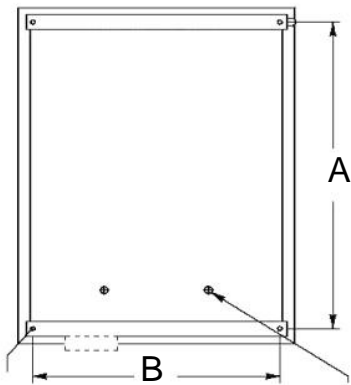
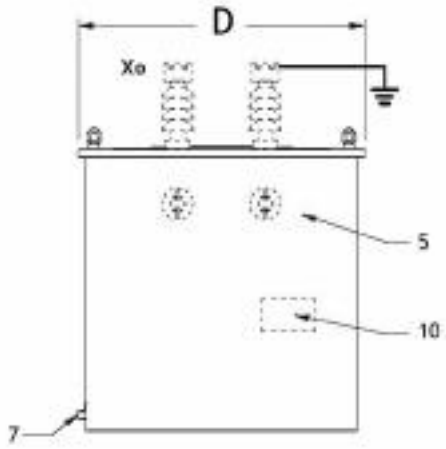


Item	Description
1	Bushing
2	Connector
3	Stand off insulator
4	Stainless Steel Resistive Coil
5	Enclosure
6	Removable cover
7	Ground connector
8	Bushing covers
9	Optional CT/PT
10	Optional Junction Box

## Models N3, N6, N9

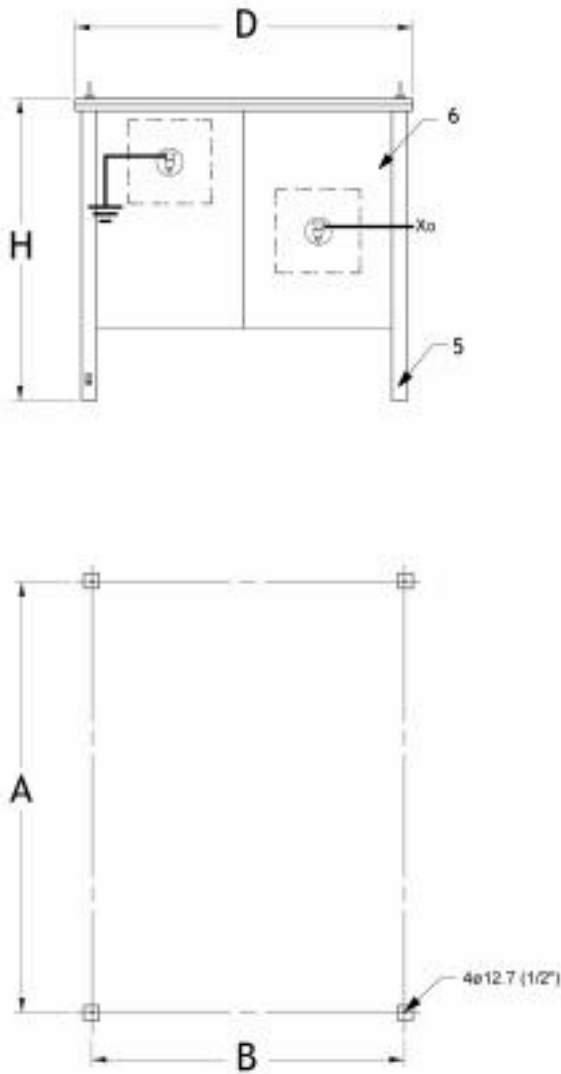
	W	D	H	A	B
N3	45 [1143]	37 [940]	25 [635]	41 [1041]	33 [850]
N6	45 [1143]	37 [940]	37 [940]	41 [1041]	33 [850]
N9	45 [1143]	49 [1245]	37 [940]	41 [1041]	45 [1130]

Dim: in [mm]



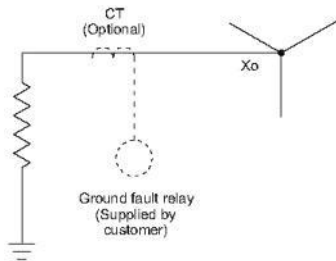
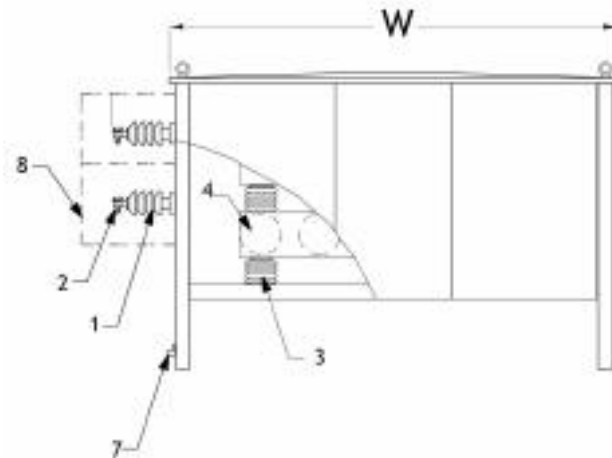
Item	Description
1	Bushing
2	Connector
3	Stand off insulator
4	Stainless Steel Resistive Coil
5	Enclosure
6	Removable cover
7	Ground connector
8	Bushing covers
9	Optional CT/PT
10	Optional Junction Box

## Models N12, N18



	W	D	H	A	B
N12	76 [1930]	56 [1422]	51 [1295]	71 [1803]	51 [1295]
N18	81 [2057]	61 [1549]	65 [1651]	76 [1930]	56 [1422]

Dim: in [mm]



Item	Description
1	Bushing
2	Connector
3	Stand off insulator
4	Stainless Steel Resistive Coil
5	Enclosure
6	Removable cover
7	Ground connector
8	Bushing covers
9	Optional CT/PT
10	Optional Junction Box